

SPINDLE LINERS

Vibration dampening



SPINDLE LINERS - VIBRATION DAMPENING FOR C.N.C. LATHES

Unilock[®]

INNOVATIVE SOLUTIONS FOR CLAMPING SYSTEMS

SPINDLE LINERS VIBRATION DAMPENING FOR C.N.C. LATHES

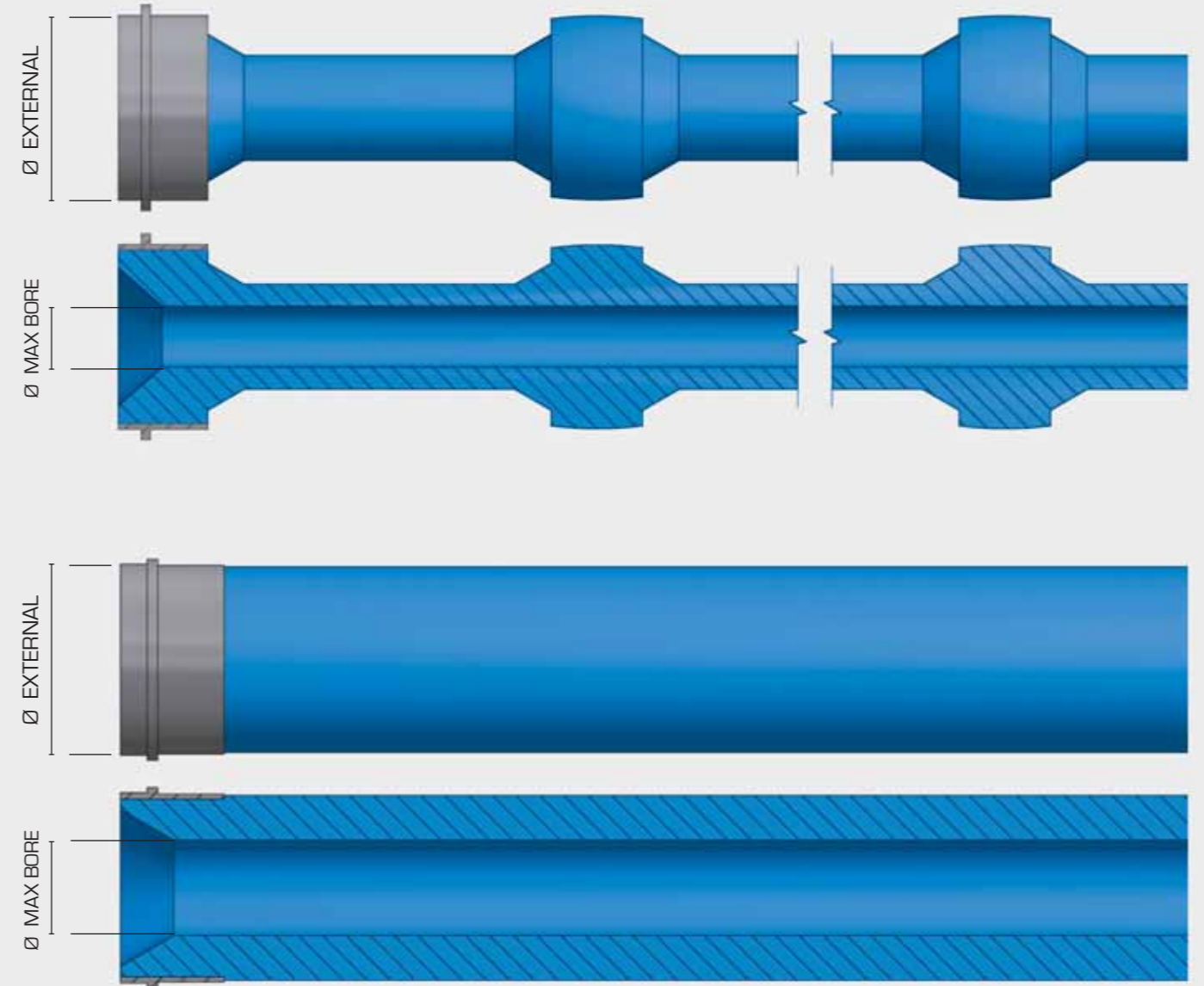
The anti-vibration dampening effect is due to the spindle liner being manufactured from engineered polyurethane. Vibration and bar oscillation generated by machining processes are absorbed and noise is drastically decreased. Production costs are greatly reduced due to the ability of running with higher bar RPM, cutting cycle times.



**STANDARD & SPECIAL VERSIONS
FOR ALL C.N.C. LATHES
WITH OR WITHOUT BAR FEEDER**

ADVANTAGES

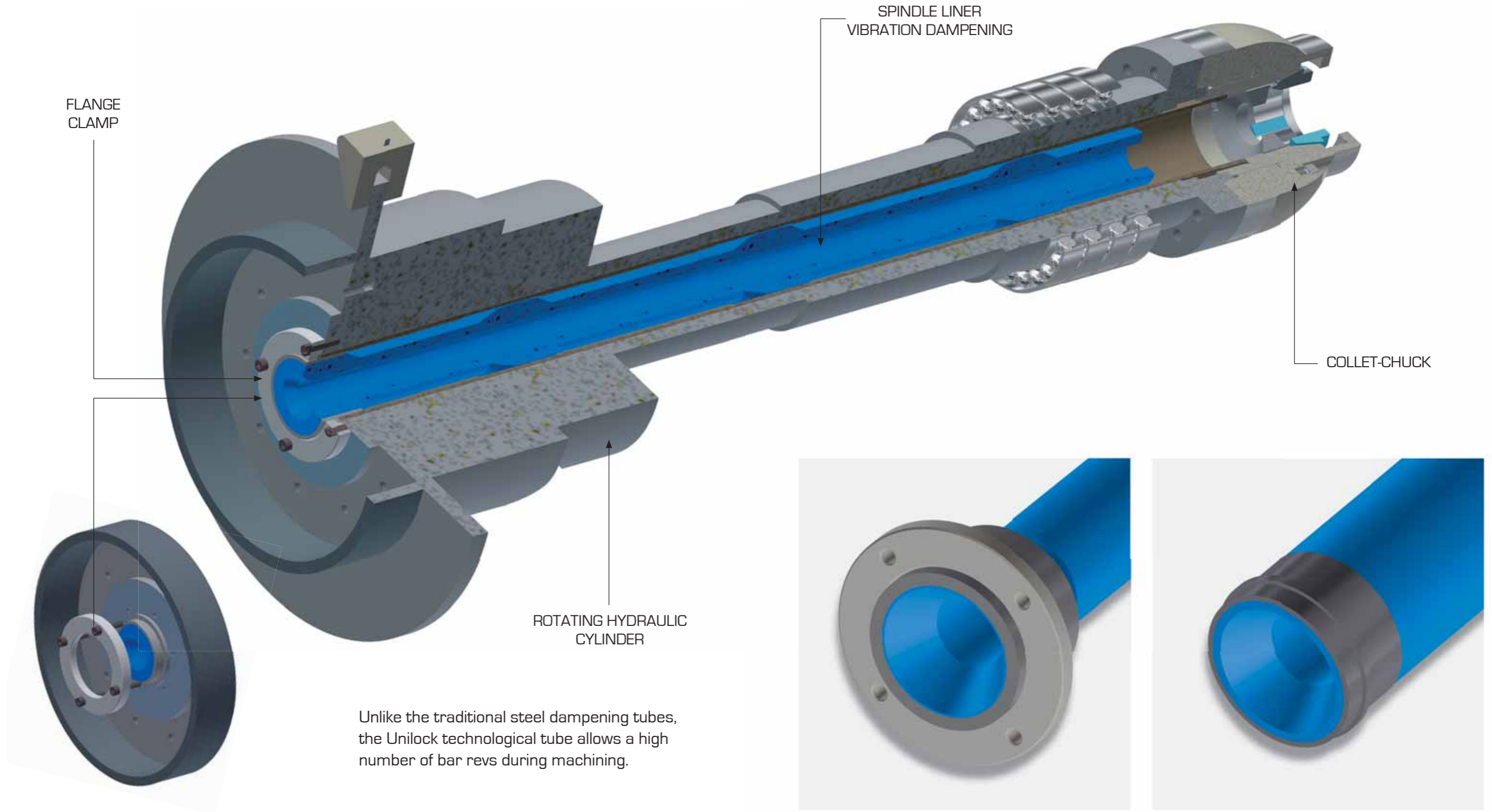
- Greatly reduces bar vibrations;
- Noise reduction;
- Allows a high number of bar revs. during machining;
- Quick installation & changeover;
- Spindle liner design ensures quick delivery for standard and bespoke versions;
- Low cost.



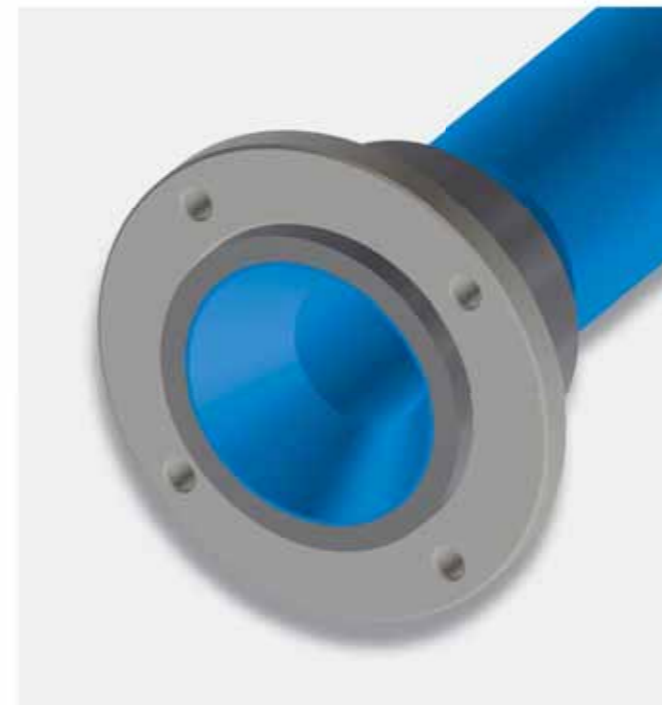
ITEM	TT 45	TT 50	TT 52	TT 60	TT 61	TT 65	TT 66	TT 67	TT 72	TT 80	TT 90	TT 100
Ø EXTERNAL	45	50	52	60	61	65	66	67	72	80	90	103
LENGTH	from 600 mm to 1000 mm											
Ø MAX BORE	40	45	47	55	56	60	61	62	67	75	95	95

Other measurements available on request.

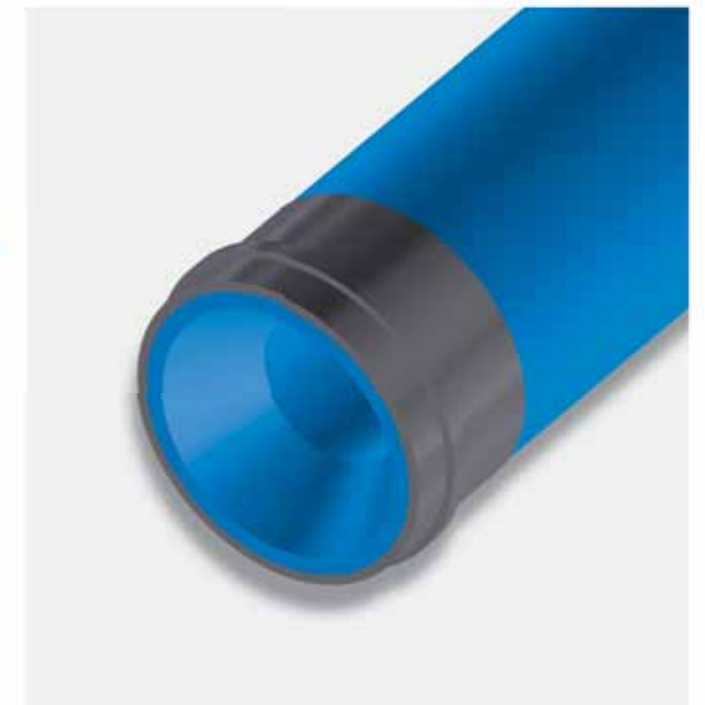
SPINDLE LINERS - VIBRATION DAMPENING FOR C.N.C. LATHES



Unlike the traditional steel dampening tubes, the Unilock technological tube allows a high number of bar revs during machining.



FLANGE detail for clamping tube to the collet-chuck.

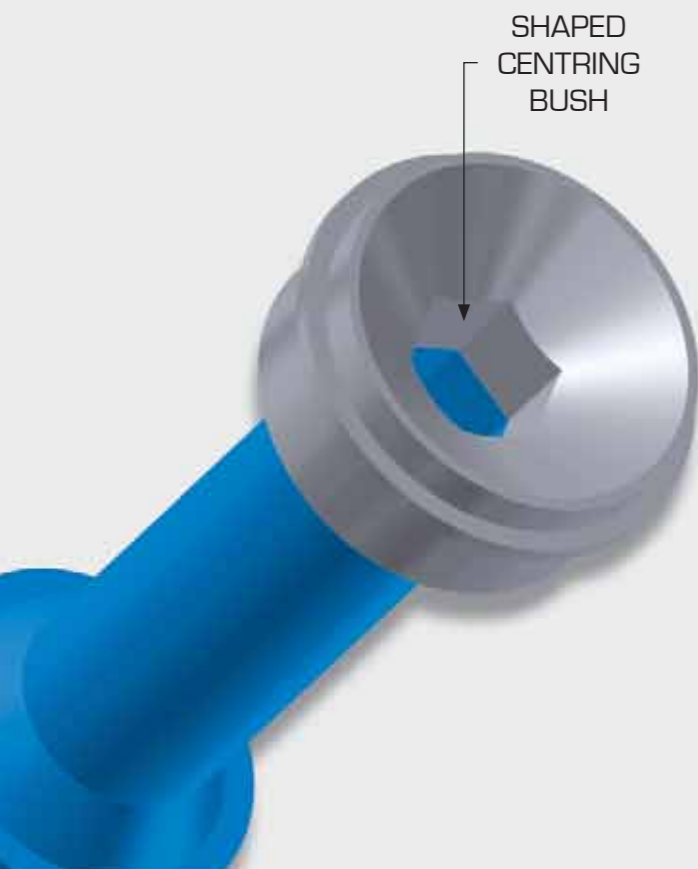


Steel insert detail.

SPINDLE LINERS FOR BAR FEEDER OR SHORT LOADER

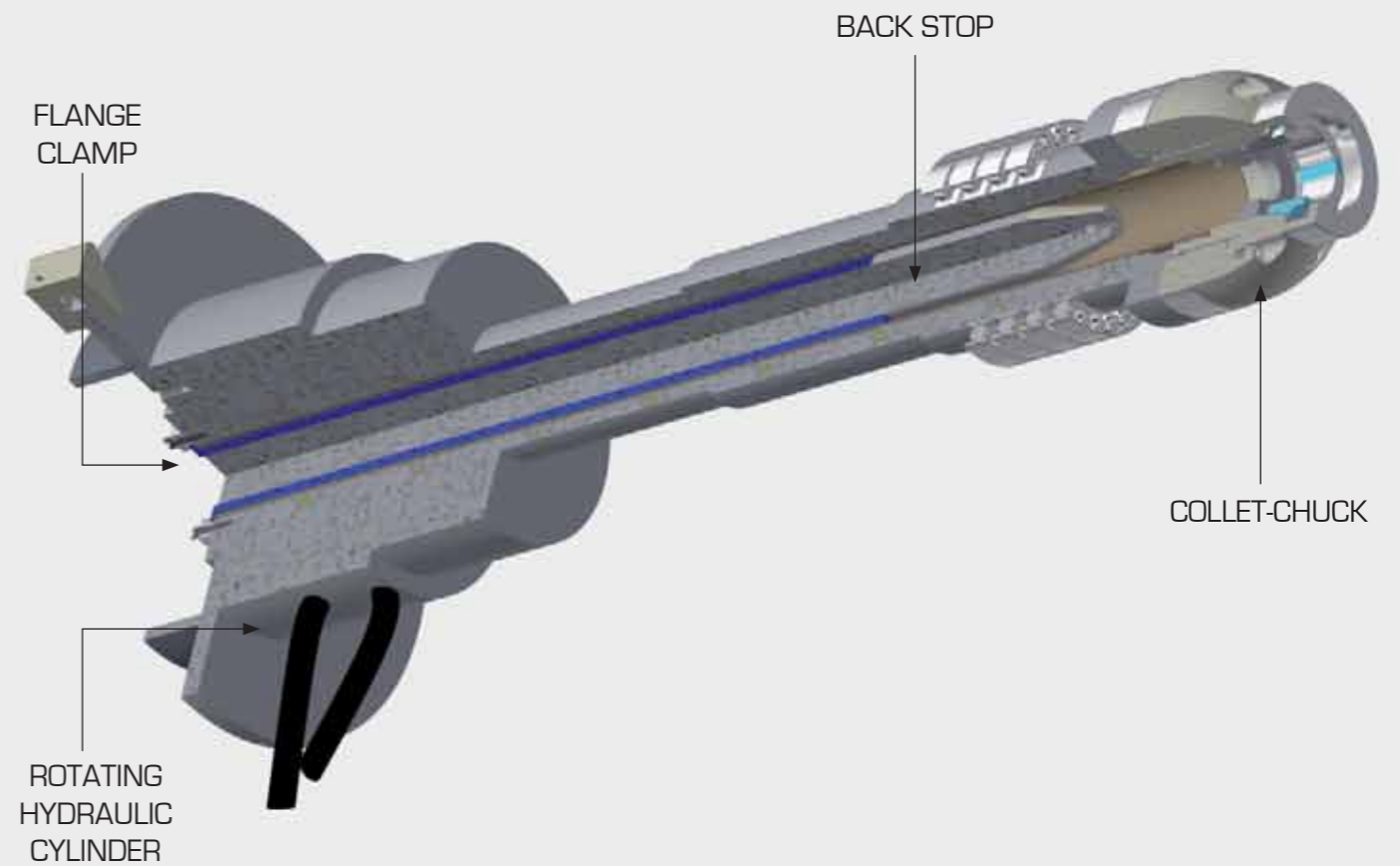


When bar feeders or short loaders are used, the spindle liner can be manufactured with a **STEEL EXTENSION** to connect the lathe with the feeder/loader system.

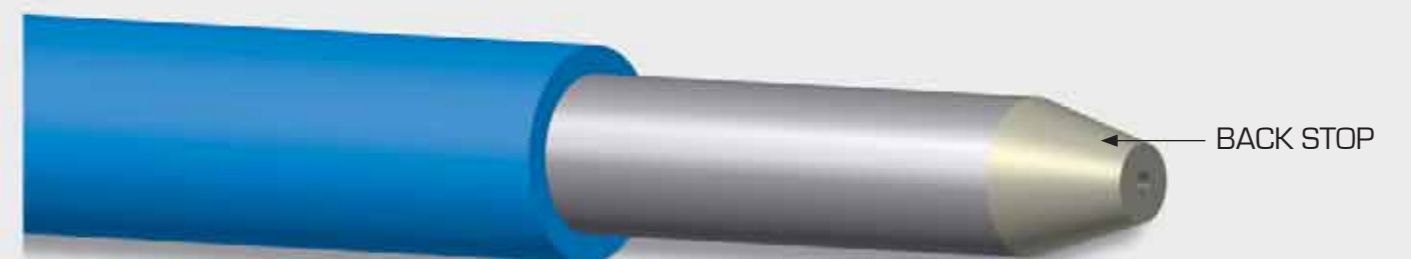


A **SHAPED CENTRING BUSH** (for hexagonal, square or extrusion/profiled bars) can be used in the rear of the spindle liner which ensures correct alignment with the closing collet.

BACK STOP



The anti vibration spindle liner can also be adapted to accept a **BACK STOP** for second operation machining.





Unitlock

www.proactive-tech-solutions.co.uk

Authorized Dealer



PRO-ACTIVE TECHNICAL SOLUTIONS LTD

Cutting edge commitment